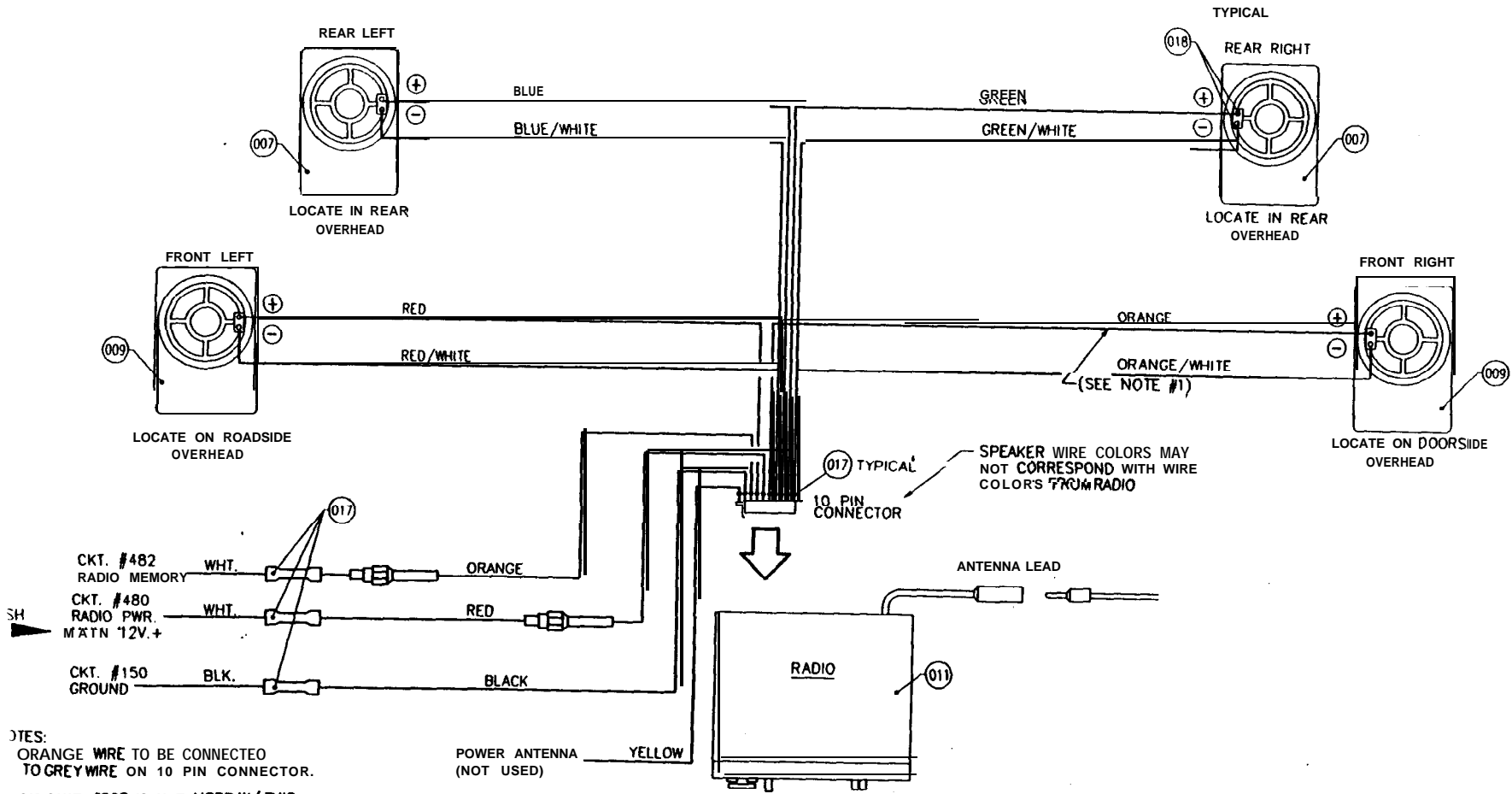
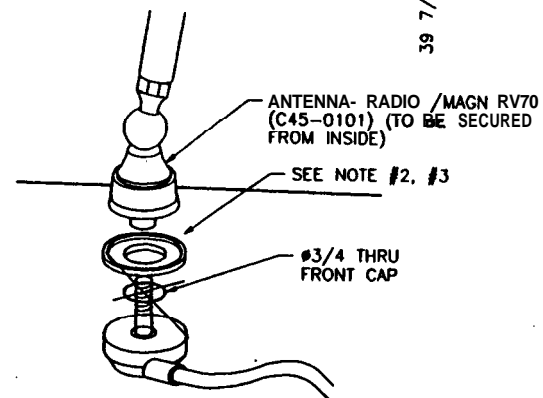
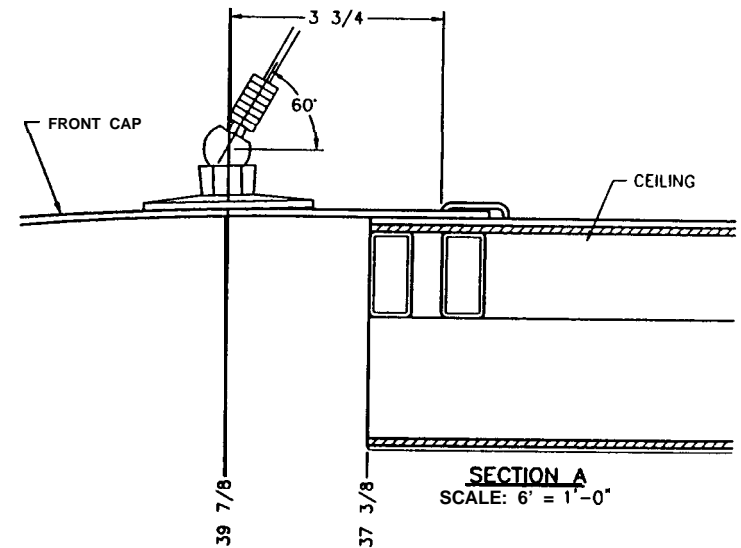
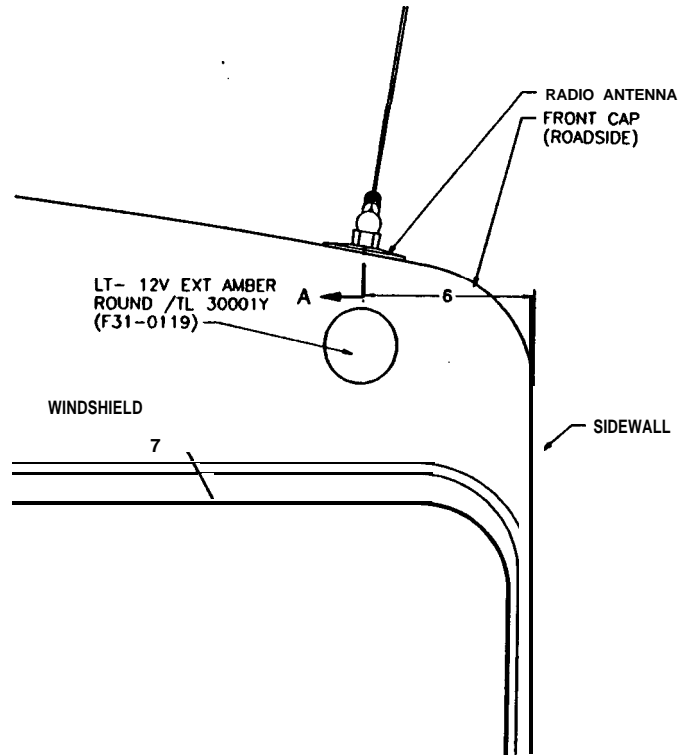


DATE RELEASE	DESCRIPTION	DATE	BY	SCALE	12" = 1'-0"	USED OR.
				DRAWN	DATE:	
				Brian T.	03-24-98	
				PROJECT	99721300	
99-00		03/26/98	DM	PLOT:	03/26/98 11:59:06 01milled	AUX
						<b>FLEETWOOD</b> PAGE NO. 721-28-10050 RECREATIONAL VEHICLE GROUP SHEET 1 OF 4 TITLE: RADIO/TAPE AM/FM/MX



NOTES:  
ORANGE WIRE TO BE CONNECTED TO GREY WIRE ON 10 PIN CONNECTOR.  
CIRCUIT #008 IS NOT USED W/ THIS RADIO. CIRCUIT #008 MAY PROVIDE DASH LIGHT ILLUMINATION WITH OTHER RADIOS.

D.C. RELEASE	DESCRIPTION	DATE	BY	SCALE: 3" = 1'-0"	USED ON:	<b>FLEETWOOD</b> PAGE NO. 721-28-10050
99-00		03/26/98	DM	DRAWN: Brian T. 03-24-98 PROJECT: 99721300 03/26/98 11:58:42 01milled	RECREATIONAL VEHICLE GROUP SHEET 3 OF 4	
TITLE: RADIO/TAPE AM/FM/MX						



NOTES:

1. MOUNT RADIO ANTENNA FLUSH TO TOP OF FRONT CAP AND RUN LEAD ALONG A-PILLAR.
2. APPLY 1/8 X 1/2 SEALANT- RUBBER ROOF SELF LEVELING (R14-0313) TO ANTENNA BASE.
3. ONCE ANTENNA IS SECURED. SEAL ML AROUND BASE WITH #3/8 BEAD OF SEALANT- RUBBER ROOF SELF LEVELING (R14-0313)

D.C. RELEASE	DESCRIPTION	DATE	BY	SCALE: 1 1/2" = 1'-0"	USED ON:	<b>FLEETWOOD</b> PAGE NO. 7 2 1 - 2 8 - 1 0 0 5 0 RECREATIONAL VEHICLE GROUP SHEET 4 OF 4 TITLE: RADIO/TAPE AM/FM/MX CSA ANTENNA LOCATION
				DRAWN: Brian T. DATE: 03-24-98		
				PROJECT: 99721300		
99-00		03/26/98	DM	PLOT: 03/26/98 11:58:31 01milled	APP. INFO.	

